



ULLRICH
ALUMINIUM

COMMERCIAL & DOMESTIC LADDERS



*A step above the rest
for strength, durability
and safety on the job!*

August 08



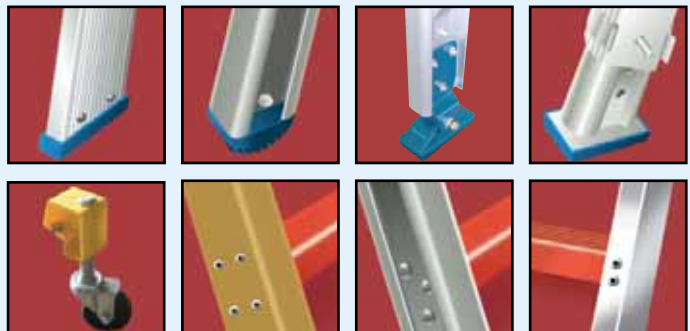
CONTENTS

| | |
|---|---------|
| ■ Step Combination Ladders | Page 1 |
| ■ Industrial Stepladders | Page 2 |
| ■ Single Ladders | Page 3 |
| ■ Extension Ladders | Page 4 |
| ■ Platform Ladders | Page 5 |
| ■ Heavy Duty Step Ladders | Page 6 |
| ■ Fibreglass Step and Extension Ladders | Page 7 |
| ■ Trestles & Planks | Page 8 |
| ■ Trestle Handrail | Page 9 |
| ■ Trestle Handrail Installation | Page 10 |
| ■ Saw Horses | Page 11 |

DESIGNED TO BE A STEP ABOVE THE REST

Ullrich Ladders and accessories are designed and built to a policy of continual product improvement for added workplace safety, comfort and durability.

Ullrich Ladders are manufactured in Australia to comply with, or exceed, AS/NZS 1892.1 : 1996 and AS/NZS 1892.3 : 1996 standards specifications. All ladders carry warranties supporting materials and craftsmanship from the date of purchase.



FEATURES

- Exceeds Australian standards AS/NZS 1892.1 : 1996 for aluminium alloy ladders
- Sturdy aluminium construction for added durability and safety
- Heavy-duty, surface-gripping rubber ends enhance stability under load
- High visibility Red Rung to indicate safest first backstep on

| ID CODE | WEIGHT | SIZE | |
|---------|---------|---------|-------|
| | | As step | Open |
| CS04 | 6.0 kg | 1.2 m | 2.1 m |
| CS05 | 7.4 kg | 1.5 m | 2.7 m |
| CS06 | 8.8 kg | 1.8 m | 3.3 m |
| CS07 | 10.4 kg | 2.1 m | 3.9 m |
| CS08 | 12.2 kg | 2.4 m | 4.5 m |
| CS09 | 13.8 kg | 2.7 m | 5.1 m |
| CS10 | 15.6 kg | 3.0 m | 5.7 m |



CS Aluminium Combination Ladder
 (RATED @ 120kg)

SAFETY DETAILS

- Heavy-duty rubber end grips
- Treads are double riveted
- High visibility red safety rung



FEATURES

- Exceeds Australian standards AS/NZS 1892.1 : 1996 for aluminium alloy ladders
- Sturdy aluminium construction for added durability and safety
- Heavy-duty, surface-gripping rubber ends enhance stability under load
- High visibility Red Rung to indicate safest first backstep on descending (models GP 05 to GP 10)

| ID CODE | WEIGHT | SIZE | ID CODE | WEIGHT | SIZE |
|---------|---------|--------|---------|---------|--------|
| DST03 | 6.0 kg | 0.90 m | GP02 | 3.2 kg | 0.60 m |
| DST04 | 6.7 kg | 1.20 m | GP03 | 4.2 kg | 0.90 m |
| DST05 | 7.7 kg | 1.50 m | GP04 | 5.4 kg | 1.20 m |
| DST06 | 8.5 kg | 1.80 m | GP05 | 6.6 kg | 1.50 m |
| DST07 | 9.0 kg | 2.10 m | GP06 | 8.0 kg | 1.80 m |
| DST08 | 9.5 kg | 2.40 m | GP07 | 9.4 kg | 2.10 m |
| DST09 | 10.0 kg | 2.70 m | GP08 | 10.6 kg | 2.40 m |
| DST10 | 10.5kg | 3.00m | GP09 | 12.0 kg | 2.70 m |
| | | | GP10 | 14.4 kg | 3.00 m |



GP General Purpose
 Stepladder
 (RATED @ 120kg)

| ID CODE | WIDTH | SIZE |
|---------|--------|--------|
| DST2800 | 800 mm | 2 step |
| DST3800 | 800 mm | 3 step |



DST2800 Trestle



DST Double-sided Stepladder

SAFETY DETAILS

- Heavy-duty rubber end grips
- Treads are double riveted
- High visibility red safety rung



FEATURES

- Exceeds Australian standards AS/NZS 1892.1 : 1996 for aluminium alloy ladders
- Sturdy construction for added durability and safety
- Heavy-duty, surface-gripping rubber ends enhance stability under load
- High visibility Red Rung to indicate safest first backstep on descending

| ID CODE | WEIGHT | SIZE |
|---------|--------|------|
|---------|--------|------|

| | | |
|---------|---------|--------|
| SLS2/10 | 6.0 kg | 3.00 m |
| SLS2/14 | 9.0 kg | 4.20 m |
| SLS2/16 | 10.0 kg | 4.80 m |
| SLS2/18 | 11.2 kg | 5.40 m |
| SLS2/20 | 12.5 kg | 6.00 m |

| | | |
|---------|---------|--------|
| HSL/1.6 | 5.0 kg | 1.60 m |
| HSL/2.2 | 8.0 kg | 2.20 m |
| HSL/2.4 | 8.5 kg | 2.40 m |
| HSL/2.9 | 9.0 kg | 2.90 m |
| HSL/3.4 | 10.5 kg | 3.40 m |
| HSL/3.6 | 11.0 kg | 3.60 m |
| HSL/3.9 | 12.0 kg | 3.90 m |
| HSL/4.2 | 13.0 kg | 4.20 m |
| HSL/4.4 | 13.5 kg | 4.40 m |
| HSL/4.9 | 15.0 kg | 4.90 m |
| HSL/5.4 | 16.5 kg | 5.40 m |
| HSL/6.0 | 18.0 kg | 6.00 m |



HSL Hook Pole Ladder
(RATED @ 120kg)



SL S2 Single Ladder
(RATED @ 120kg)

SAFETY DETAILS

- Heavy-duty rubber grips
- Screwed rungs
- High visibility red safety rung
- Ankle swivel foot (optional)



FEATURES

- Exceeds Australian standards AS/NZS 1892.1 : 1996 for aluminium alloy ladders
- Sturdy construction for added durability and safety
- Heavy-duty, surface-gripping rubber ends enhance stability under load
- High visibility Red Rung to indicate safest first backstep on descending

| ID CODE | WEIGHT | EXTENDED SIZE |
|-----------|---------|---------------|
| DES1/0808 | 12.0 kg | 4.20 m |
| DES1/1010 | 14.0 kg | 5.40 m |
| DES1/1212 | 17.0 kg | 6.30 m |
| DES1/1414 | 20.0 kg | 7.50 m |
| DES1/1616 | 23.4 kg | 8.70 m |
| DES2/1010 | 13.0 kg | 5.40 m |
| DES2/1212 | 16.0 kg | 6.30 m |
| DES2/1414 | 18.0 kg | 7.50 m |
| DES2/1616 | 21.0 kg | 8.70 m |
| DES2/1818 | 24.0 kg | 10.0 m |
| DES2/2020 | 27.0 kg | 11.2 m |
| TE 10 | 21.0 kg | 7.20 m |
| TE 12 | 25.5 kg | 9.00 m |
| TE 14 | 30.7 kg | 10.2 m |
| TE 16 | 35.0 kg | 12.0 m |
| TE 18 | 35.0 kg | 13.8 m |



DE S1 Double Extension
(RATED @ 120kg)

DE S2 Double Extension
(RATED @ 150kg)

TE Triple Extension
(RATED @ 120kg)

SAFETY DETAILS

- Heavy-duty rubber grips
- Screwed rungs
- High visibility red safety rung
- Ankle swivel foot (optional)



FEATURES

- Exceeds Australian AS/NZS 1892.1 : 1996 standards for aluminium alloy ladders
- Sturdy construction for added durability and safety
- Spring loaded wheels allows unit to be easily manouverable.
- Wheels retreat when load is applied

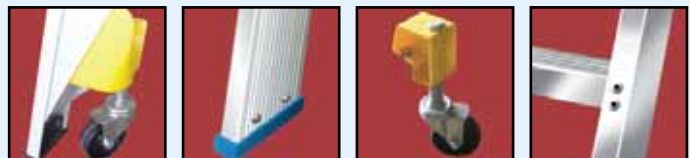
| ID CODE | WEIGHT | SIZE |
|----------------|---------------|-------------|
| PFS2/06 | 16.0 kg | 1.80 m |
| PFS2/07 | 18.0 kg | 2.10 m |
| PFS2/08 | 20.0 kg | 2.40 m |
| PFS1/06 | 16.0 kg | 1.80 m |
| PFS1/07 | 18.0 kg | 2.10 m |
| PFS1/08 | 20.0 kg | 2.40 m |
| PFS1/10 | 22.0 kg | 3.00 m |



PFS1 Hinged
Platform Ladder
(RATED @ 150kg)

SAFETY DETAILS

Heavy duty rubber end grips
Treads are double riveted
Platform to enable safe standing



FEATURES

- Exceeds Australian standards AS 1577 : 1993 specifications for aluminium alloy ladders
- Commercial standard, sturdy construction for added durability and safety
- Heavy-duty, surface-gripping rubber ends enhance stability under load
- High visibility Red Rung to indicate safest first backstep on descending



HDS Heavy Duty Step
(with Handrails)
(RATED @ 150kg)

| ID CODE | WEIGHT | SIZE |
|---------|---------|--------|
| HDD06 | 12.5 kg | 1.80 m |
| HDD08 | 16.6 kg | 2.40 m |
| HDD10 | 20.8 kg | 3.00 m |
| HDD12 | 25.0 kg | 3.60 m |
| HDD14 | 29.2 kg | 4.20 m |
| HDD16 | 33.3 kg | 4.80 m |
| HDD18 | 37.5 kg | 5.40 m |



HDD Heavy Duty Double Sided
(RATED @ 150kg)

| ID CODE | WEIGHT | SIZE |
|---------|---------|--------|
| HDS08HR | 15.5 kg | 2.40 m |
| HDS10HR | 19.0 kg | 3.00 m |
| HDS12HR | 23.0 kg | 3.60 m |
| HDS14HR | 27.0 kg | 4.20 m |
| HDS16HR | 31.0 kg | 4.80 m |
| HDS18HR | 34.5 kg | 5.40 m |



HDS Heavy Duty Step
(RATED @ 150kg)

| ID CODE | WEIGHT | SIZE |
|---------|---------|--------|
| HDS06 | 7.2 kg | 1.80 m |
| HDS08 | 9.6 kg | 2.40 m |
| HDS10 | 12.0 kg | 3.00 m |
| HDS12 | 14.4 kg | 3.60 m |
| HDS14 | 16.8 kg | 4.20 m |
| HDS16 | 19.2 kg | 4.80 m |



FEATURES

- Exceeds Australian standards AS/NZS 1892.3 : 1996 for fibreglass ladders
- Sturdy construction for added durability and safety
- Heavy-duty, surface-gripping rubber ends for stability
- High visibility indicator for safest first backstep on descending
- Non conductive Fibreglass framing
- Load capacity 120Kg

| ID CODE | WEIGHT | SIZE |
|---------|---------|---------|
| | | As step |
| GRDS04 | 7.7 kg | 1.2 m |
| GRDS05 | 9.6 kg | 1.5 m |
| GRDS06 | 11.5 kg | 1.8 m |
| GRDS07 | 13.8 kg | 2.1 m |
| GRDS08 | 17.7 kg | 2.4 m |
| GRDS09 | 19.9 kg | 2.7 m |
| GRDS10 | 22.2 kg | 3.0 m |
| GRDE10 | 16.0 kg | 5.40 m |
| GRDE12 | 19.2 kg | 6.30 m |
| GRDE14 | 22.4 kg | 7.50 m |
| GRDE16 | 25.7 kg | 8.70 m |



GRDS Step Ladder
(RATED @ 120kg)



GRDE
Extension
Fibreglass
(RATED @ 120kg)

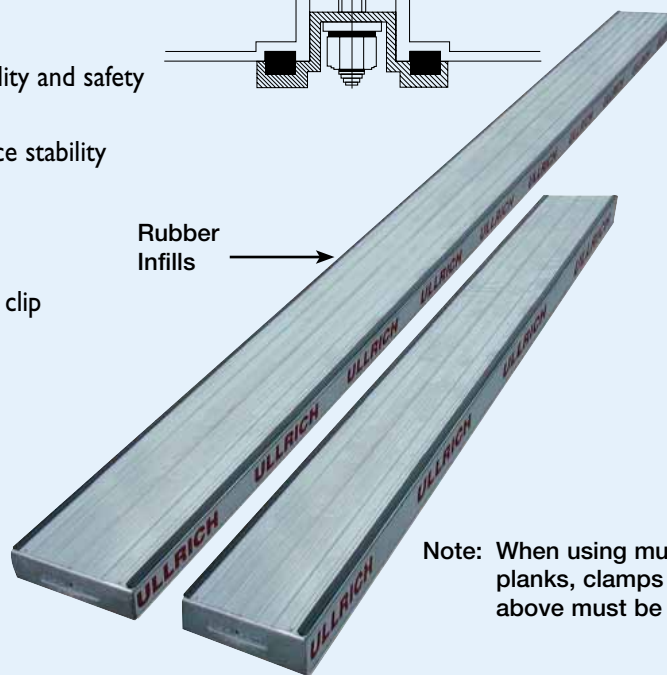
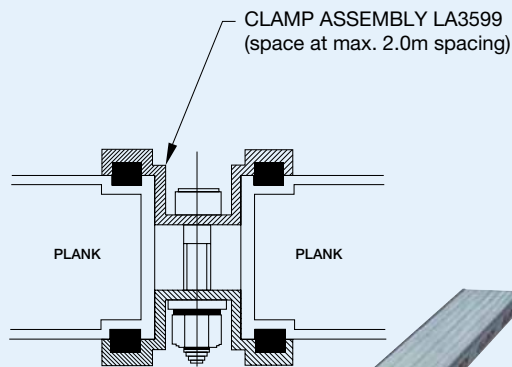
SAFETY DETAILS

- Heavy-duty rubber end grips
- Riveted rungs
- Tread are double riveted
- High visibility red safety rung



FEATURES

- Exceeds Australian standards AS/NZS 1892.1 : 1996 for aluminium alloy ladders
- Exceeds Australian standards AS/NZS 3620.1 : 1996 for aluminium alloy planks
- Sturdy aluminium construction for added durability and safety
- Heavy-duty, surface-gripping rubber infills enhance stability
- Ground levelling feet extendable to 300mm
- Height adjustment made simple by use of spring clip
- All planks are 227mm wide x 50mm deep



TP Planks

Note: When using multiple planks, clamps as above must be used.

PLANKS

| ID CODE | WEIGHT | LENGTH |
|---------|---------|--------|
| TP 2.4 | 10.0 kg | 2.4 m |
| TP 3.0 | 12.4 kg | 3.0 m |
| TP 3.6 | 14.8 kg | 3.6 m |
| TP 4.0 | 16.4 kg | 4.0 m |
| TP 5.0 | 20.4 kg | 5.0 m |
| TP 6.0 | 24.4 kg | 6.0 m |

TRESTLES

| ID CODE | WEIGHT | SIZE |
|---------|---------|--------|
| TT 04 | 8.0 kg | 1.20 m |
| TT 06 | 12.0 kg | 1.80 m |
| TT 08 | 16.0 kg | 2.40 m |
| TT 10 | 20.0 kg | 3.00 m |
| TT 12 | 24.0 kg | 3.60 m |
| TT 14 | 28.0 kg | 4.20 m |
| TT 16 | 32.0 kg | 4.80 m |

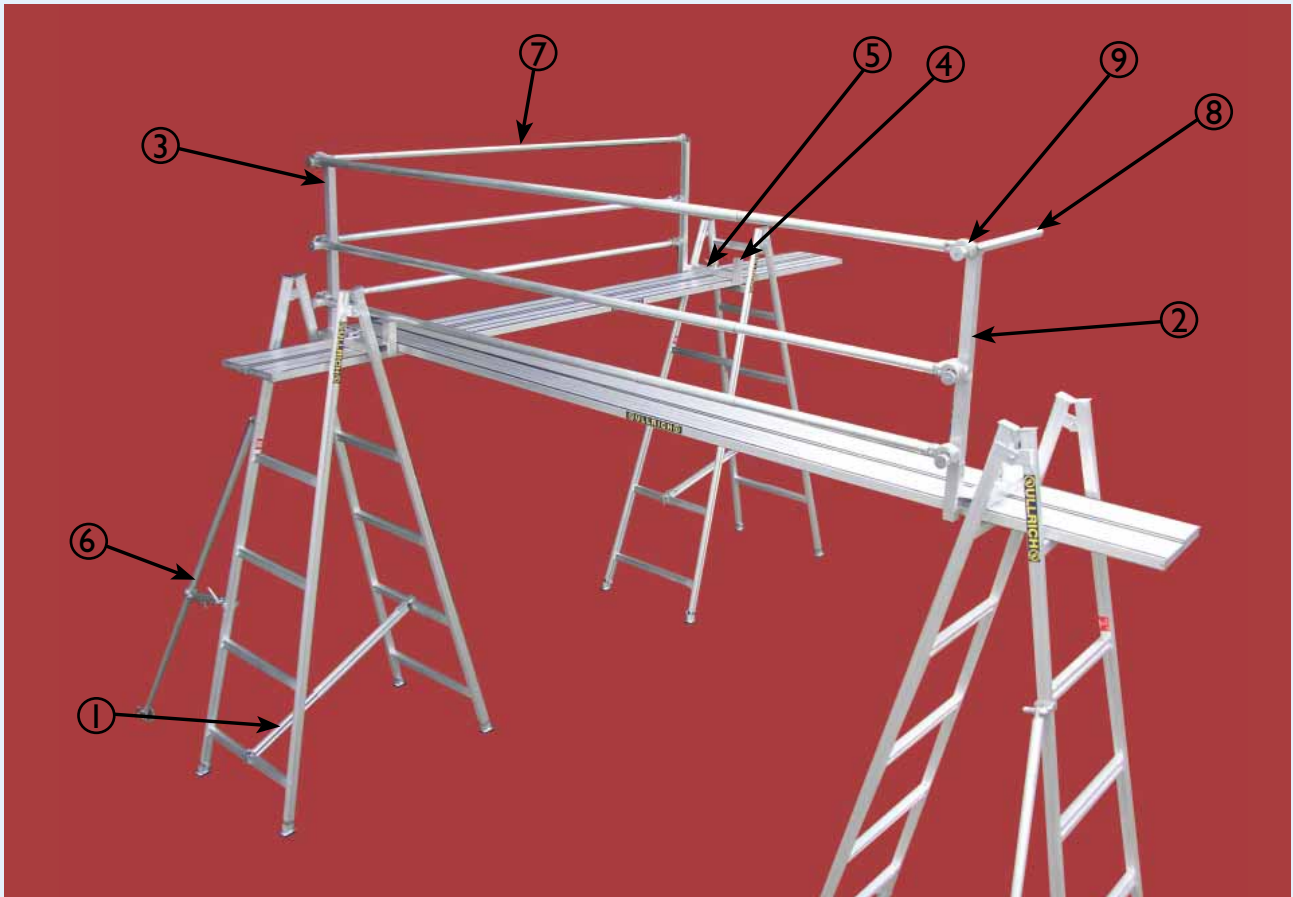


TT Tradesman Trestle
(RATED @ 210kg)

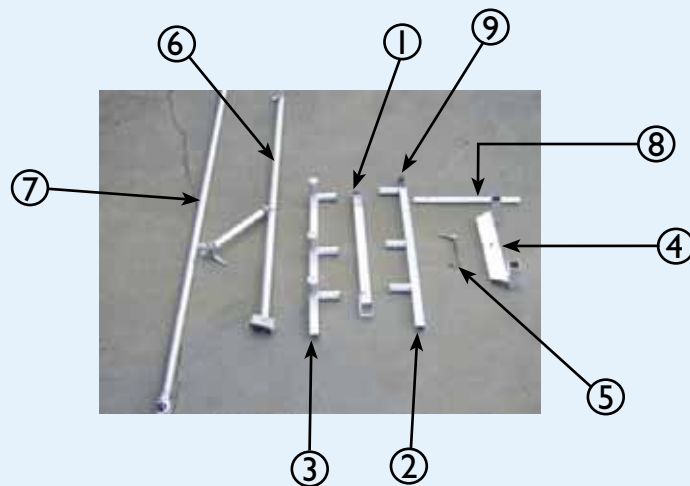
SAFETY DETAILS

- Heavy-duty rubber grips
- Planks must be supported every 3m max.
- Trestles tested and safety rated up to 210kg





NOTE: HANDRAILS MUST BE FITTED TO ALL PLANKS ABOVE 2.0m



- | | |
|-------------------------------|---|
| 1. TELESCOPIC BRACE (TRE 003) | 5. J.BOLT & HANDLE (TRE 007) |
| 2. END POST (TRE 004) | 6. OUTRIGGER ASSY (TRE 002) |
| 3. CORNER POST (TRE 006) | 7. HANDRAIL 3.5 - 4.5m / 4.5 - 5.5m (TRE 011) |
| 4. BRACKET (TRE 005) | 8. HANDRAIL END TUBE (TRE 010) |
| | 9. SPRING CLIP (MS 004) |

SAFETY DETAILS

Planks are rigidly fixed to trestle

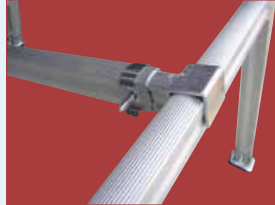
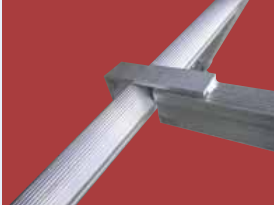
Handrail end bracket prevents person walking off end of plank.

Outriggers for greater stability.

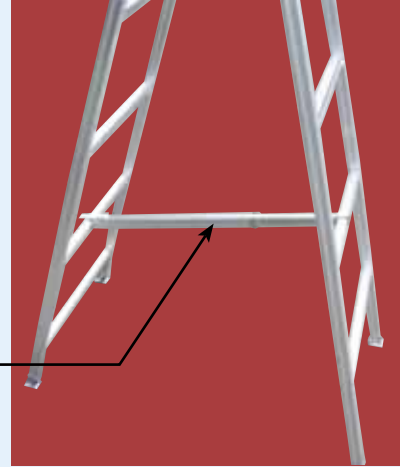


1. SPACE TRESTLES AT REQUIRED DISTANCE WITH STEP SUPPORTING THE PLANK FACING INWARDS. LEVEL TRESTLES.

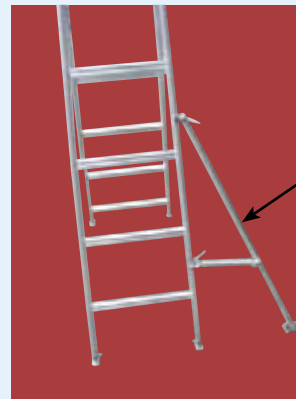
2. ATTACH DIAGONAL BRACE AS SHOWN.



DIAGONAL BRACE



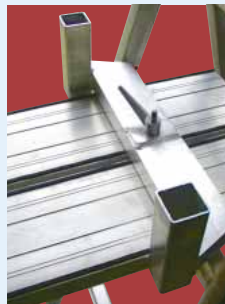
3. ATTACH OUTRIGGERS AS SHOWN.



OUTRIGGER

4. PLACE PLANKS ON TRESTLE RUNG REQUIRED.

5. ATTACH POST SUPPORT BRACKET TO PLANKS AND TRESTLE RUNG USING 'J' BOLT AND HAND NUT



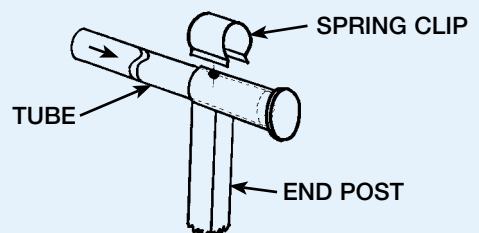
CLAMP FIRMLY

6. PLACE POST IN CLAMP SOCKET AS REQUIRED. MAKE SURE HANDRAIL ATTACHMENT TUBES ARE FACING OUTWARDS. **NOTE:** CORNER POST HAS 2 SETS OF ATTACHMENT TUBES

7. ATTACH HANDRAIL SNAP CLAMPS TO POST ATTACHMENT TUBES AS SHOWN. MAKE SURE ALL CLAMPS ARE LOCKED.

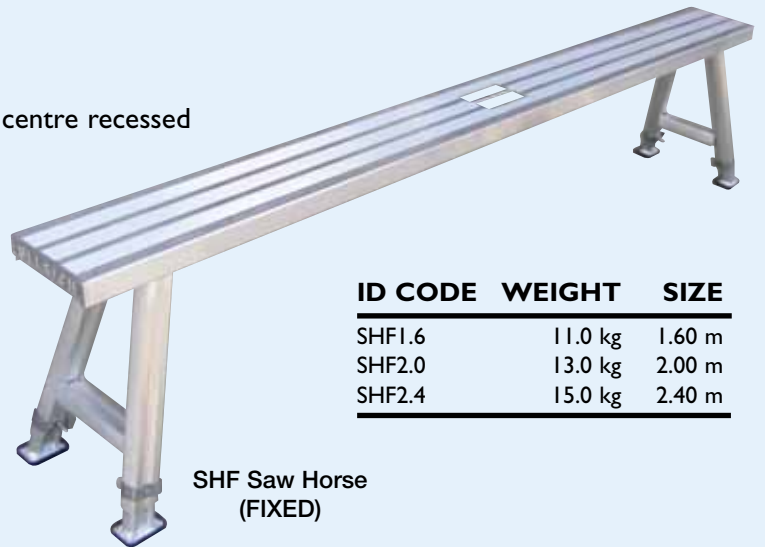


8. ATTACH "END RAIL" TO END POST USING SPRING CLIP.



FEATURES

- Exceeds Australia standards ASNZS 3620 : 1996
- Sturdy aluminium construction
- Quick height adjustment made simple by use of spring clip
- Floor levelling feet extendable to 300mm
- Legs fold for ease of transport and storage
- Planks are 227mm wide x 50mm deep with centre recessed handle
- Tested and rated to 225 kg



| ID CODE | WEIGHT | SIZE |
|---------|---------|--------|
| SHF1.6 | 11.0 kg | 1.60 m |
| SHF2.0 | 13.0 kg | 2.00 m |
| SHF2.4 | 15.0 kg | 2.40 m |

SHF Saw Horse
(FIXED)



| ID CODE | WEIGHT | SIZE |
|---------|---------|--------|
| SH1.6 | 15.7 kg | 1.60 m |
| SH2.0 | 17.3 kg | 2.00 m |
| SH2.4 | 19.0 kg | 2.40 m |
| SH3.0 | 21.0 kg | 3.00 m |

SH Saw Horse

SAFETY DETAILS

Heavy-duty rubber end grips

