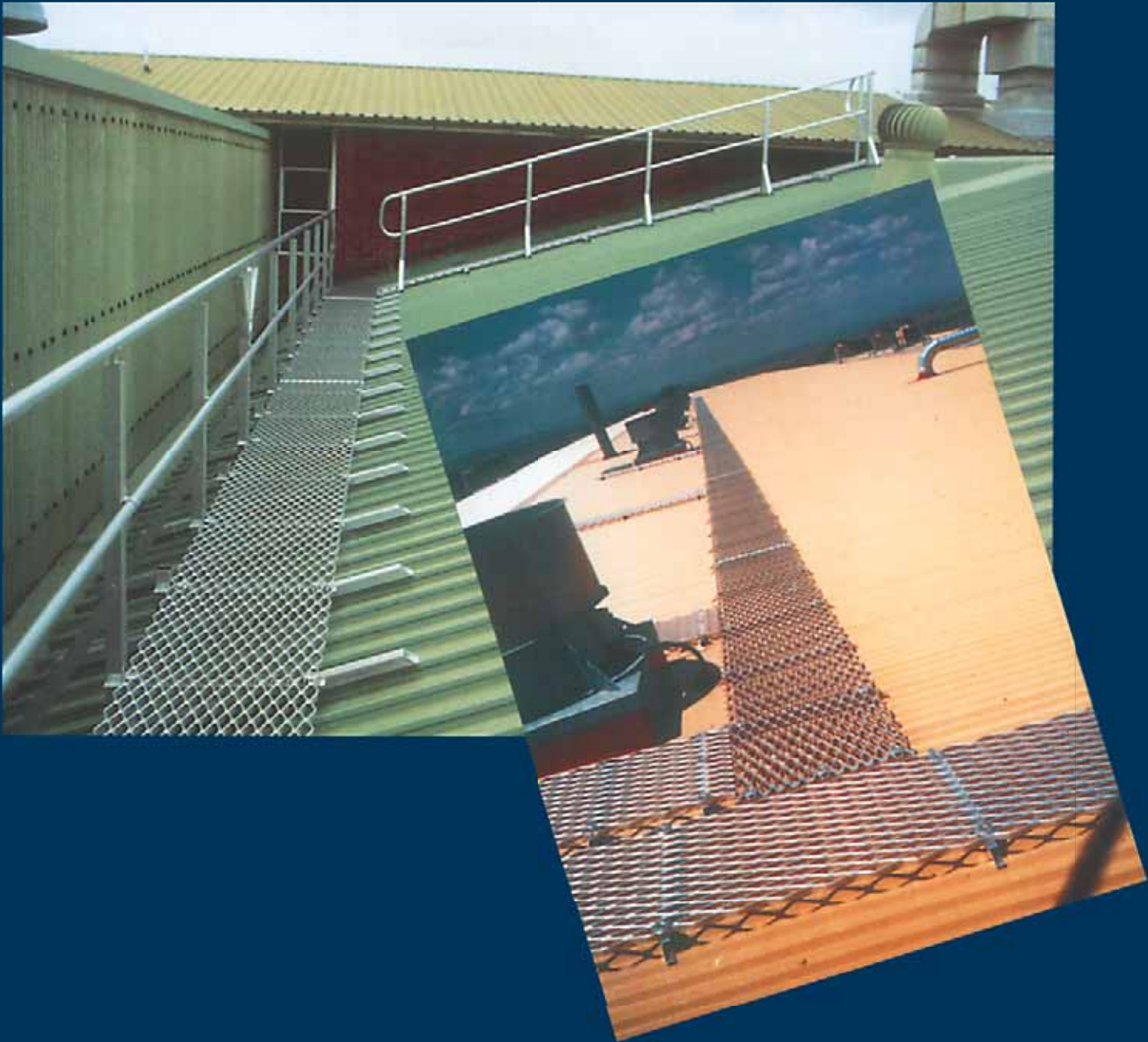


# ***SERIES UWS***



**EXPERIENCE:**

- Ullrich Aluminium has over 20 years experience in Design/Extrusion/Distribution of aluminium in Australia, New Zealand and the Pacific Islands. We pride ourselves on our excellent designs, technical advice and after sales service.

**DESIGN:**

- The Ullrich Aluminium Roof Walkway has been designed to meet the requirements of Australian Standards AS1657 - 1992 and various codes of practice for safe work on roofs.
- The dual direction grip of the series 13 and 22 makes it ideal for pedestrian access over any metal deck roofs.
- Our roof walkway system can be installed without handrails or a handrail system to one or both sides.

**FEATURES:**

- Lightweight - weighs 7kgs/lm (without handrails)
- Simply installed to all metal deck roof sheeting
- Easy to follow installation data
- High resistance to slip
- Maintenance free - non-corrosive aluminium
- Can traverse roof in any direction
- Handrails easily fitted to one or both sides
- Taper supports available to level walking surface if required
- Can be installed on fibre cement roofing
- Technical support available upon request
- Readily available through our network of branches

**USES:**

- Safe pedestrian access to plant or equipment on roofs
- Small roof A/C or fan platforms
- Access stairways and landings
- Step overs and ladders

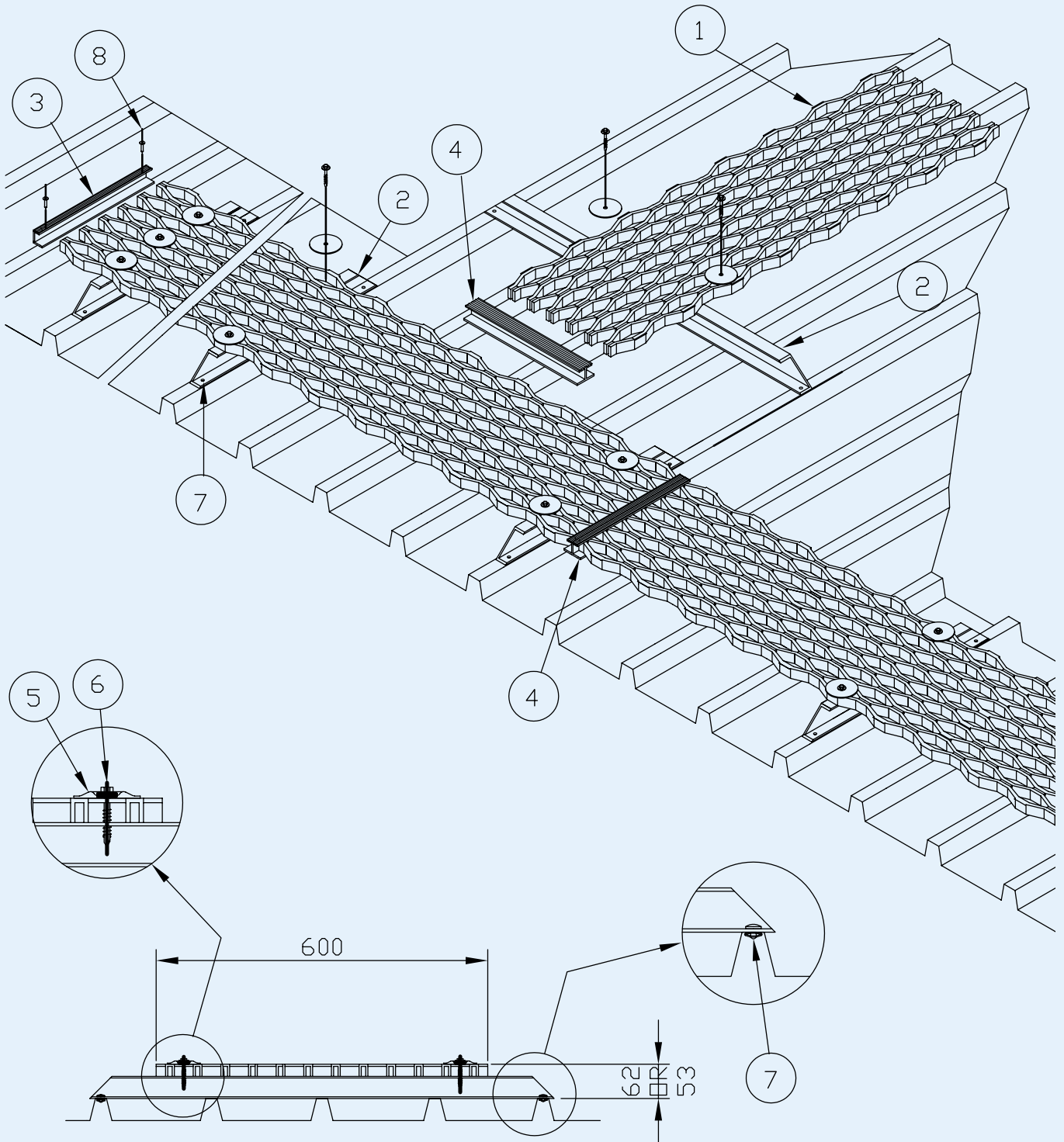
**MATERIAL:**

- All Ullrich walkway grating and components are supplied in a 'mill finish' unless specified

**SPECIF :**

- Contact Ullrich to obtain recommended specifications for the various systems required





## TYPICAL WALKWAY SECTION

1	WALKWAY GRATING - 6M
2	SUPPORT CHANNEL - 6M
3	END CHANNEL - 4.8M
4	JOINER - 4.8M

5	RETAINING DISC
6	SCREW SELF DRILLING
7	RIVET ALUM. BULB TITE OR WELLNUT
8	RIVET SS

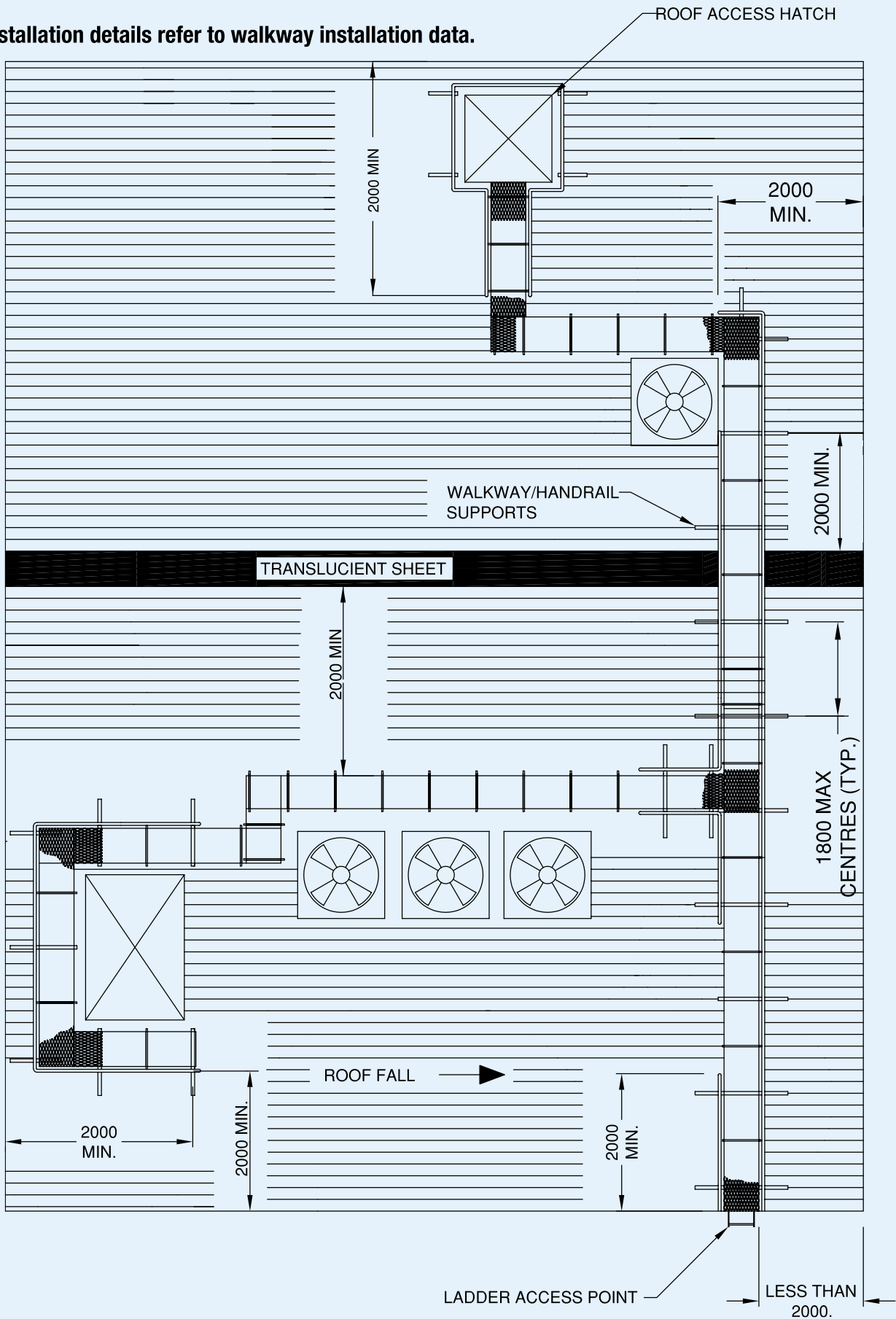
NOTE: Installation Data available upon request



# ULLRICH ROOF WALKWAY SYSTEM - TYPICAL LAYOUT

Below is a typical roof walkway installation - shows minimum allowable distances and where handrails will be required.

For Installation details refer to walkway installation data.





**INFORMATION:** Generally handrails are required if:

**ROOF -**

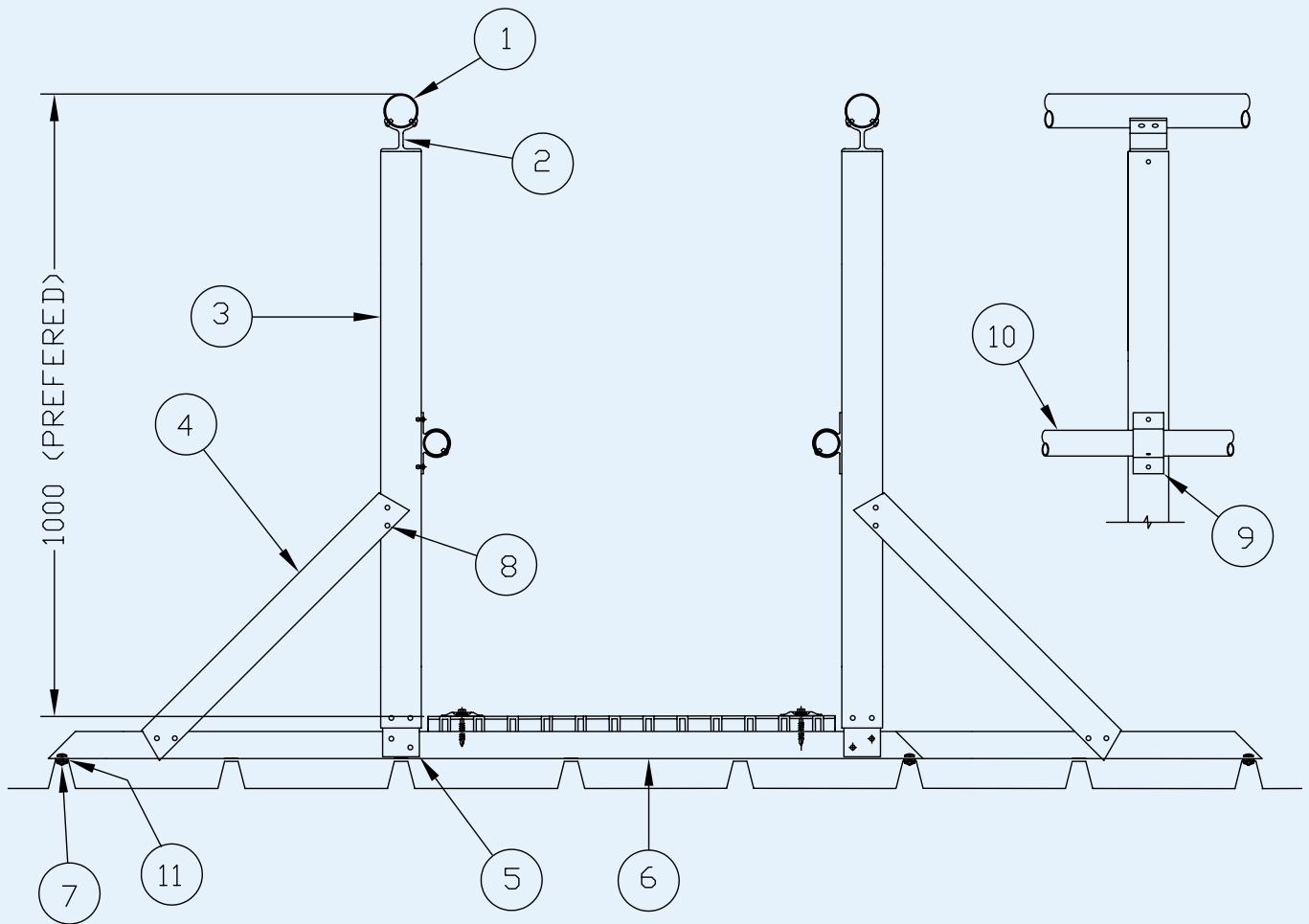
- a) The distance to edge of roof is less than 2.0m
- b) Accessing from a ladder: handrails are required to guide person away from roof edge
- c) Any unprotected edge where a person can fall more than 300mm
- d) Walkways fitted to a fibre cement or brittle roof
- e) An access hatch or void is present

**STAIRWAYS -**

- a) Every stairway shall have at least 1.0m handrail
- b) If the width of stairway exceeds 1.0m handrails are to be provided to both sides

Ref.Source – AS1657-1992 & Workcover – Safe Work on Roofs.





- System suitable for single or double handrails
- Post centres = 1800mm MAX. (recommended 1500mm)
- The above system shows the handrail parallel to the roof with posts at 90° to the sheeting. Vertical handrail posts are also available for greater pitched roofs
- Handrail can be added onto existing roof walkway system at a later stage

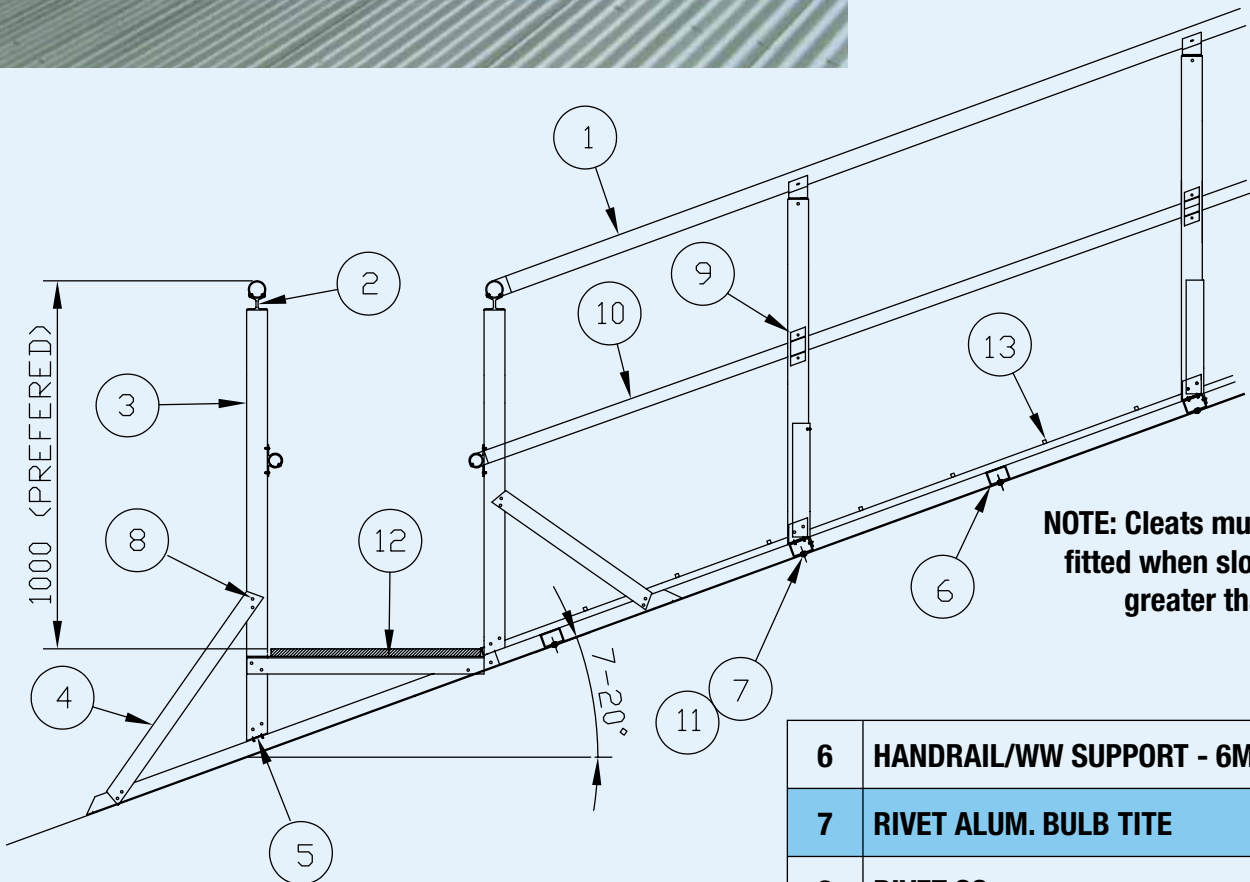
1	HANDRAIL ø50 - 6M
2	HANDRAIL BRACKET
3	POST STANDARD - 6M
4	POST STRUT
5	POST CONNECTOR BRACKET
6	HANDRAIL/WW SUPPORT - 6M

7	RIVET ALUM. BULB TITE
8	RIVET SS
9	KNEE RAIL BRACKET
10	KNEE RAIL ø38.1 - 6M
11	EPDM SPACER / SEAL WASHER

**NOTE: Installation Data available upon request**



Typical installation showing handrail posts 'vertical'



NOTE: Cleats must be fitted when slope is greater than 7°

1	HANDRAIL $\phi$ 50 - 6M
2	HANDRAIL BRACKET
3	POST STANDARD - 6M
4	POST STRUT
5	POST CONNECTOR BRACKET

6	HANDRAIL/WW SUPPORT - 6M
7	RIVET ALUM. BULB TITE
8	RIVET SS
9	KNEE RAIL BRACKET
10	KNEE RAIL $\phi$ 38.1 - 6M
11	EPDM SPACER / SEAL WASHER
12	WALKWAY SUPPORT ANGLE
13	CLEAT BAR - 4M



Phone for your nearest  
**ULLRICH ALUMINIUM SALES CENTRE**

**AUSTRALIA - 1300 650 075**

**NEW ZEALAND - 0800 500 338**

- ALUMINIUM EXTRUSIONS
- ROLLED PRODUCTS
- FASTENINGS
- LADDERS
- SCAFFOLDS
- ULLTRACLAD CLADDING
- WINTEC WINDOWS & DOORS
- BUILDING PRODUCTS
- DECORATIVE METALS
- TEKNA MACHINERY

Representative and franchised operations throughout the South Pacific

ULLRICH ALUMINIUM PTY LTD  
 PO Box 2182 Smithfield NSW 2164  
 185-187 Woodpark Rd Smithfield Australia  
 Tel +61 2 8787 7400 Fax +61 2 9725 2784  
 ullrich@ullrich.com.au www.ullrich.com.au

ULLRICH ALUMINIUM CO LTD  
 PO Box 98 843 SAMC  
 Manukau City 2240 New Zealand  
 Tel +64 9 262 6262 Fax +64 9 262 6265  
 alkalum@uacl.co.nz www.ullrich-aluminium.co.nz