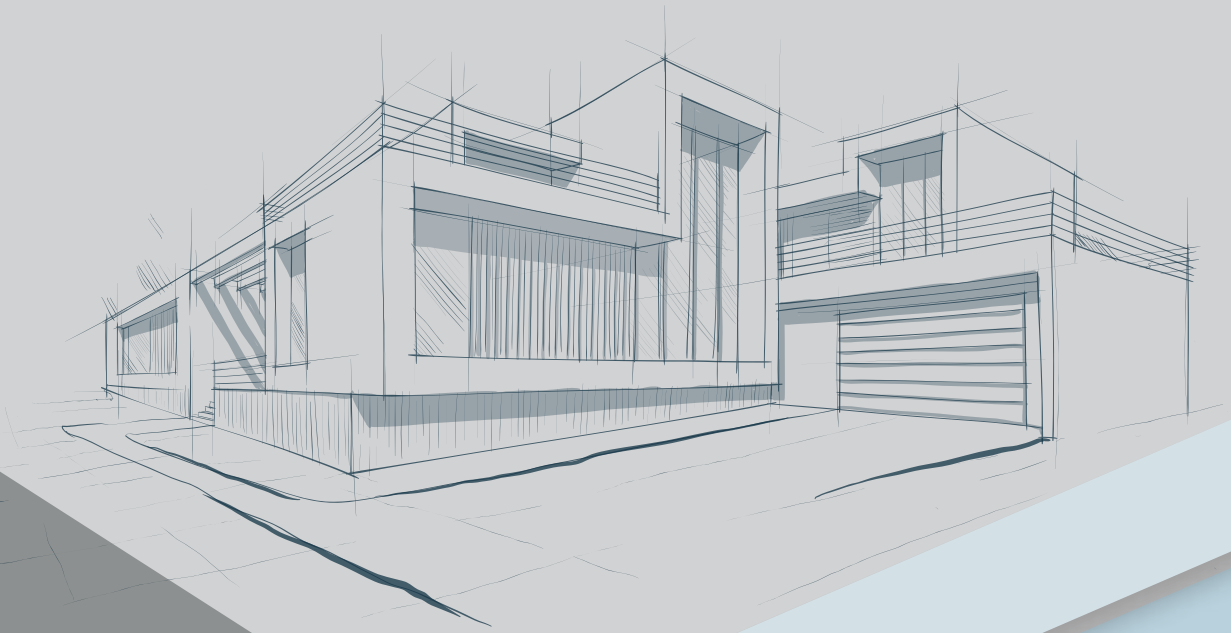


# ULLRICH ALUMINIUM



## BLADE LOUVRE FITTINGS

***NACO // TRIMLINE // BLADELOK***



QUALITY • SERVICE • INTEGRITY

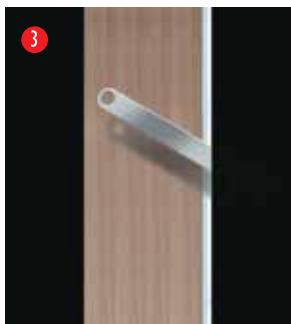
# NACO LOUVRES

## LOUVRE FITTINGS – A PRACTICAL SOLUTION FOR CONTROL OF LIGHT, SIGHT AND AIRFLOW

For ventilation, light control and privacy, louvre windows are amongst the most practical of all window glazing treatments. They are well-suited for all enclosed spaces requiring controlled cross-breeze ventilation, and are particularly suitable in tropical and subtropical climates. Naco Airflow louvre fittings are supplied as a kit to your specifications, ready to install in aluminium or timber frames. Glass or aluminium blades are available.

### BENEFITS OF NACO AIRFLOW LOUVRE FITTINGS

- Durable finish – anodised, painted or powdercoated in a range of colours
- Rust-resistant, fully housed mechanism, smooth operation
- Precision-fit blade holders to ensure positive blade contact
- Built-in compression-fin draught eliminators on blade holders
- Adaptability for optional factory-fitted security bars
- Multiple-handle operation options for versatile breeze control
- Adaptability for motorised remote-control operation (specify when ordering).



- 1 Aluminium blade with optional torsion bar reinforcing for wider windows.
- 2 Fitting for fixed panel in extended-height openings (cut to required size).
- 3 Factory-fitted lever for optional remote-control motorised operation.
- 4 Factory-fitted security bars.
- 5 Drop-rod controls for higher windows and convenient operation for multiple louvre sets.

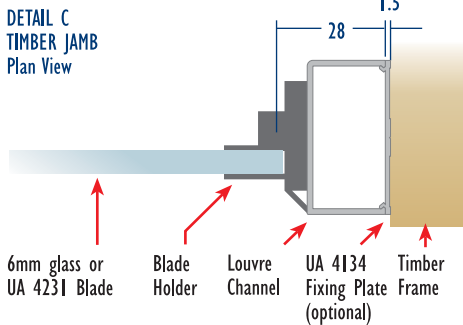
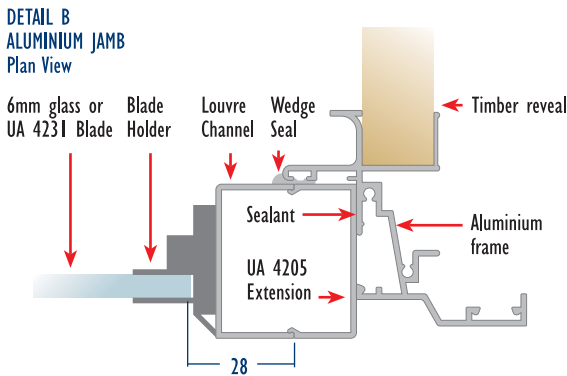
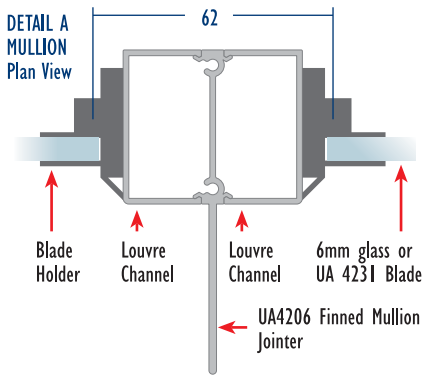
### PLANNING AND SPECIFYING

Calculate the number of blades required from the following table. Extended window heights (ie: higher than standard sizes listed and within the next blade height) require fixed, custom-sized infill panels to fit remainder of opening depth. A fixed head weatherbar should be used above infill panels. Recommended maximum single blade length is 760mm. See diagrams to calculate blade widths.

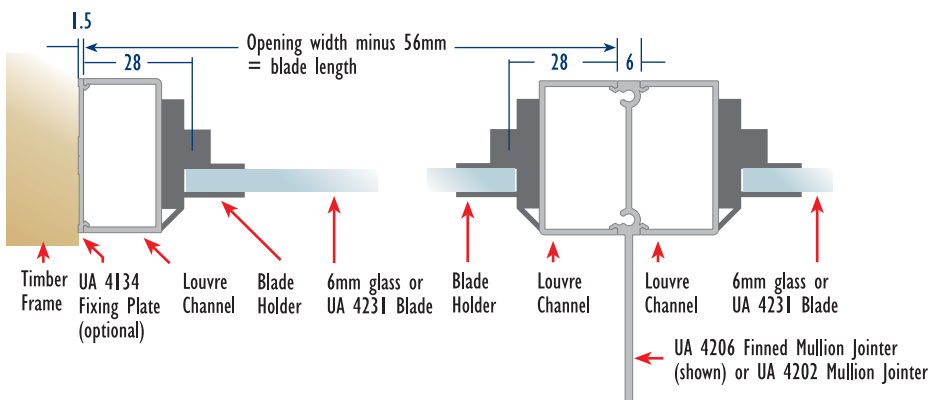
Standard aperture height	Blades to fit standard height	Extended aperture heights with fixed infill *	Blades for extended height: calculate infill size!	Number of control handles
305mm	2	343 – 446	2 +	1
445mm	3	483 – 585	3 +	1
584mm	4	622 – 725	4 +	1
724mm	5	762 – 865	5 +	1
864mm	6	902 – 1004	6 +	2
1003mm	7	1041 – 1144	7 +	2
1143mm	8	1181 – 1284	8 +	2
1283mm	9	1321 – 1424	9 +	2
1423mm	10	1461 – 1563	10 +	2
1562mm	11	1600 – 1703	11 +	3
1702mm	12	1740 – 1843	12 +	3
1842mm	13	1880 – 1982	13 +	3
1981mm	14	2019 – 2122	14 +	3
2121mm	15		15 +	3

\* **Example:** An extended window height of 500mm requires 3 louvre blades (445mm) and a fixed infill panel of 55mm (500mm minus 445mm) to fit the aperture.

## MULLION AND JAMB FITTING OPTIONS

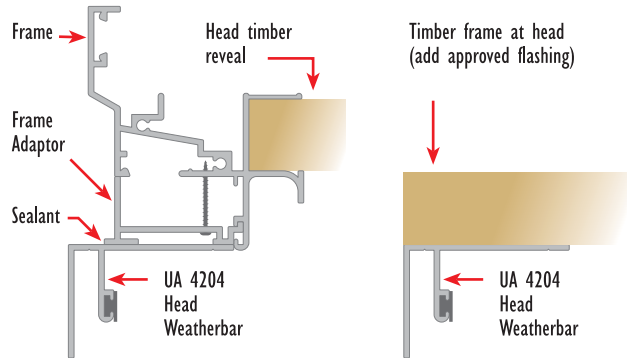


### CALCULATING LOUVRE BLADE WIDTH (example per DETAIL C: TIMBER JAMB)

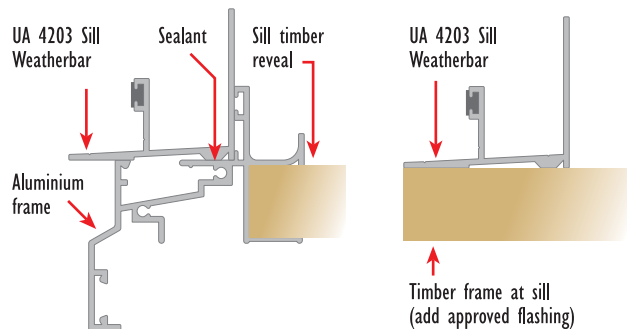


## WEATHERBAR INSTALLATION

### ALUMINIUM HEAD WEATHERBAR TO ALUMINIUM OR TIMBER FRAME Side Section Elevations

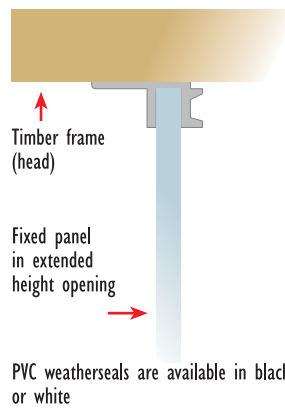


### ALUMINIUM SILL WEATHERBAR TO ALUMINIUM OR TIMBER FRAME Side Section Elevations

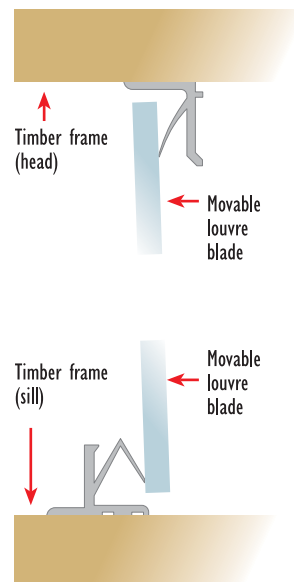


### PVC WEATHERSEAL OPTIONS Side Section Elevations

#### 1. Fixed infill panel seal for extended head



#### 2. Louvre head and sill



**naco air flow**  
DELUXE LOUVRE FITTINGS BY ULLRICH ALUMINIUM

# TRIMLINE LOUVRES



## TRIMLINE LOUVRES

A set of Cooper Louvres consists of two aluminium mullions with attached operating mechanism and channels for holding the glass blades. These mullions are not joined together in any way and therefore can be spaced to fit any width opening with the maximum recommended of 762mm.



**COOPER**

### BENEFITS AND FEATURES OF TRIMLINE LOUVRES

- Manufactured from anodised aluminium extrusions, light-weight and available in natural anodised finish, as standard.
- The ultimate in controlled ventilation with a combined locking and operating handle. Pivots are specially treated to give smooth control. It is recommended that a spot of light oil be placed on each pivot periodically. The plastic tipped handle ensures comfortable and firm control. Left hand control is standard.
- Fitted with a patented security stop which prevents glass being removed when the louvre is locked in position. Glass blades are not supplied with the louvre fittings but are stocked by glass merchants in various types.
- Suitable for Hotels, Motels, Factories, Offices, Schools, Shops and Homes.
- Cyclone tested by the James Cook Cyclone Structural Testing Station, Townsville, Australia to wind load code AS1170.2 1989

### SIZES AVAILABLE

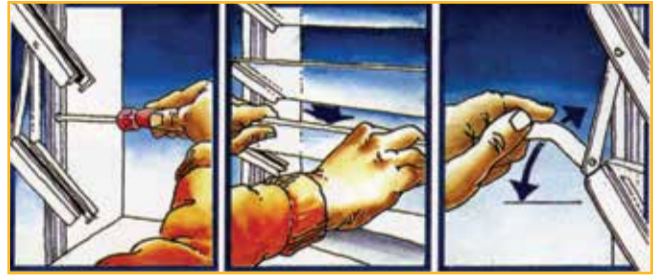
	NUMBER OF BLADES	OVERALL HEIGHT
	2	304 mm
	3	444 mm
	4	584 mm
	5	724 mm
Single Control Handle	6	863 mm
	7	1003 mm
	8	1143 mm
	9	1283 mm
	10	1422 mm
	11	1562 mm
	12	1702 mm
Extension Unit	6	838 mm

With openings above 1702mm high it is necessary to stack sets of louvres on top of each other. To do this a specially modified 6 Blade louvre is available called a '6 Blade Extension Unit'. This can be used in conjunction with all the above sizes.

---

## INSTALLATION INSTRUCTIONS

- Before installing the louvre fittings, make sure the frame is square and true throughout. Failure to observe this fundamental instruction will cause the louvres to be stiff in operation and could result in air and water leakage.
- When screwing the louvre mullions to the side frame ensure that they are exactly parallel and opposite each other. Providing the frame is plumb in all directions this may be done easily by scribing a guide line down either jamb at equal distance from the outer face.
- Ease back the glass retaining clips and then insert the glass blade. When this is fully home the clip must be bent over the top edge to retain the blade in its correct position.
- The louvre must be in the locked position when fitting the sill-board at the bottom and the cover bead at the top. These should be brought up to but NOT pushing against the glass. This will ensure the weather-proof seal between the blades is maintained. This is most important as most complaints concerning faulty operation of the louvre are due to incorrect positioning of the sill-board or cover bead forcing against the glass preventing the blades sealing correctly.



*Durability Statement* - Cooper Louvres are anodised aluminium window louvres with aluminium pivots. Anodised aluminium has good durability in most environments in New Zealand, but must be washed down regularly to maintain its appearance. The colours of the anodising may fade as time passes, but this does not represent a problem to the overall durability of the system. As part of the cladding, a durability of 15 years is required by the New Zealand building code. When

- installed and maintained in accordance with the manufacturer's instructions
- washed down regularly to remove deposited salt and dirt
- not used in the corrosion "hot-spots" of geothermal areas, as determined by the local authority
- not used in areas of heavy industrial pollution these louvre frames will be durable for 15 years. As mentioned, regular washing down is very important - the specified life can probably be attained in many situations with minimal washing down, but the appearance and ultimate durability of the frames will be severely reduced.

---



# BLADELOK LOUVRES



## BLADE // LOK

NEW BLADELOK SECURITY CLIP



1. Slip glass into place

2. Slide left hand and right hand clips between glass and channel and push all the way home

3. The spring loaded 'tip' of the clip slides over the first head and locks the glass firmly in place



A set of Cooper De Luxe Louvres consists of two aluminium mullions with attached operating mechanism and channels for holding the glass blades. These mullions are not joined together in any way and therefore can be spaced to fit any width opening with the maximum recommended of 762mm.



**COOPER**

### BENEFITS AND FEATURES OF BLADELOK LOUVRES

- Manufactured from robust aluminium with anodised or epoxy powder coated weatherproof finish providing strength and attractive appearance.
- Fitted with two poly-pile edge strips to keep out dust, rain and to reduce drafts. Improved strutting has eliminated annoying wind rattles.
- Fitted with a patented BLADELOK security clip which prevents glass being removed when the louvre is in a locked or open position. Glass blades are not supplied with the louvre fittings but are stocked by glass merchants in various types. Can be tinted with film just the same as any glass window.
- Combined locking and operating handle with a plastic tip to ensure comfortable and firm control. Left hand control is standard but can be supplied on the right to 'special' order.

### SIZES AVAILABLE

	NUMBER OF BLADES	OVERALL HEIGHT
Single Control Handle	2	304 mm
	3	444 mm
	4	584 mm
	5	724 mm
	6	863 mm
	7	1003 mm
	8	1143 mm
	9	1283 mm
	10	1422 mm
	11	1562 mm
	12	1702 mm
Extension Unit	6	838 mm

With openings above 1702mm high it is necessary to stack sets of louvres on top of each other. To do this a specially modified 6 Blade louvre is available called a '6 Blade Extension Unit'. This can be used in conjunction with all the above sizes.

## INSTALLATION INSTRUCTIONS

- Before installing the louvre fittings, make sure the frame is square and true throughout. Failure to observe this fundamental instruction will cause the louvres to be stiff in operation and could result in air and water leakage.
- When screwing the louvre mullions to the side frame ensure that they are exactly parallel and opposite each other. Providing the frame is plumb in all directions this may be done easily by scribing a guide line down either jamb at equal distance from the outer face.
- Ease back the glass retaining clips and then insert the glass blade. When this is fully home the clip must be bent over the top edge to retain the blade in its correct position.
- The louvre must be in the locked position when fitting the sill-board at the bottom and the cover bead at the top. These should be brought up to but NOT pushing against the glass. This will ensure the weather-proof seal between the blades is maintained. This is most important as most complaints concerning faulty operation of the louvre are due to incorrect positioning of the sill-board or cover bead forcing against the glass preventing the blades sealing correctly.



### SECURITY CLIP

Each individual louvre blade is fitted either end with our unique security clip.

### RIDGED SECTION MULLION

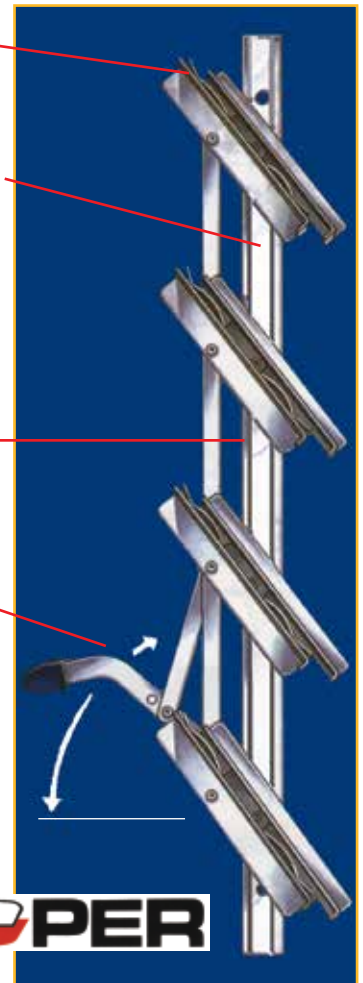
Non-rusting aluminium with anodised natural finish offered as standard. Each pivot point is specially treated to give smooth trouble free action. An occasional spot of light oil is all that's necessary.

### POLY SEAL

Twin non-rot poly seals create an exceptionally firm seal against the weather, drafts and leaks.

### CONTROL HANDLE

The handle combines locking and full adjustment of the blades. The shaped plastic nob is smooth and comfortable while ensuring positive non-slip control at all times.



**COOPER**



Phone for your nearest

**ULLRICH ALUMINIUM SALES CENTRE**

**AUSTRALIA - 1300 650 075**

**NEW ZEALAND - 0800 500 338**

- ALUMINIUM EXTRUSIONS
- ROLLED PRODUCTS
- FASTENINGS
- LADDERS
- SCAFFOLDS
- ULLTRACLAD CLADDING
- WINTEC WINDOWS & DOORS
- BUILDING PRODUCTS
- DECORATIVE METALS
- ULLTIMATE SERIES WINDOWS & DOORS

Representative operations throughout the South Pacific

ULLRICH ALUMINIUM PTY LTD  
 PO Box 246 Carole Park Queensland 4300  
 20 Ron Boyle Crescent Carole Park Queensland Australia  
 Tel +61 7 3718 1400 Fax +61 7 3271 1230  
 ullrich@ullrich.com.au www.ullrich.com.au

ULLRICH ALUMINIUM CO LTD  
 PO Box 98 843 Manukau City Auckland 2241  
 118 Wiri Station Road Wiri 2104 New Zealand  
 Tel +64 9 262 6262 Fax +64 9 262 6266  
 alkalum@uacl.co.nz www.ullrich.co.nz