

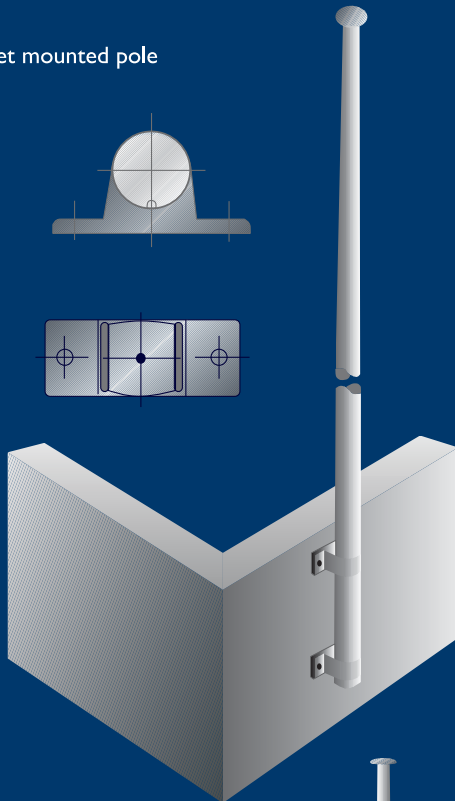


*Poles apart from the rest!*



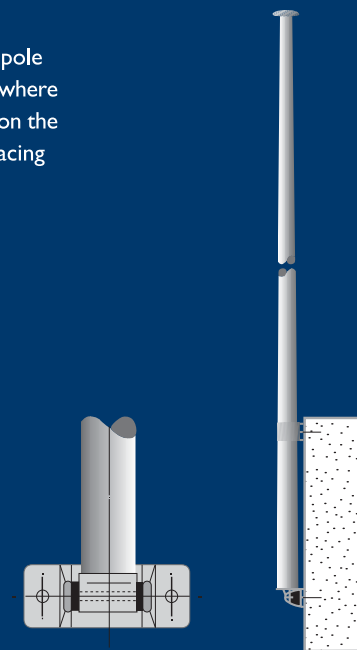
### TYPE B1

Fixed parapet mounted pole



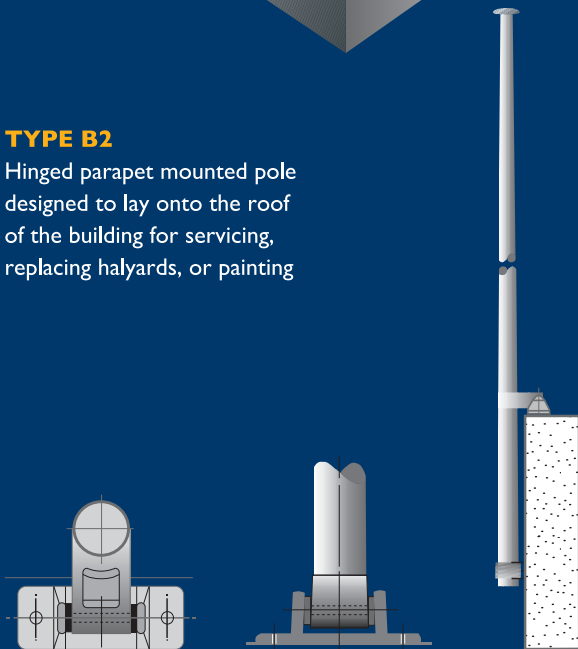
### TYPE B3

Hinged parapet mounted pole for a single storey building where the pole can be laid down on the ground for servicing, replacing halyards, or painting



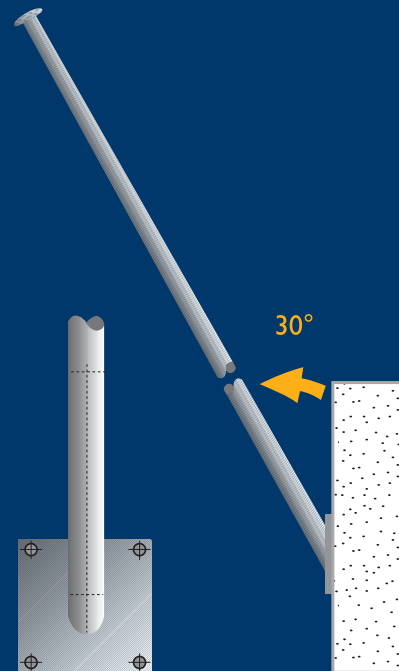
### TYPE B2

Hinged parapet mounted pole designed to lay onto the roof of the building for servicing, replacing halyards, or painting



### TYPE B4

Angle mounted pole for face of building. Can be mounted at any height



### TYPE B: 1, 2 and 3 Side fastening (vertical) for wall or parapet fitting:

Max. diameter at base	Max. overall length	Max. cantilever above top fixing
76mm untapered	5 metres	4 metres
76mm tapered	5 metres	4 metres
89mm tapered	6 metres	5 metres
101mm tapered	7.5 metres	6 metres
101mm tapered	9 metres	6.5 metres
127mm tapered	10.5 metres	7.5 metres
127mm tapered	12 metres	9 metres

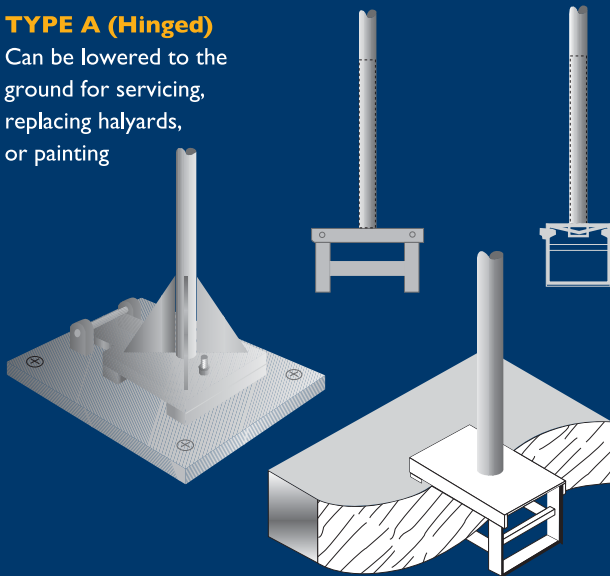
### TYPE B4 wall mounting:

Max. diameter at base	Length of pole
63mm untapered	2 metres
63mm untapered	3 metres
76mm untapered	4 metres
89mm tapered	5 metres

INCLUDES THE FOLLOWING: Cast alloy truck, sheave, cleat, polypropylene halyard, fixing brackets and flag clips.

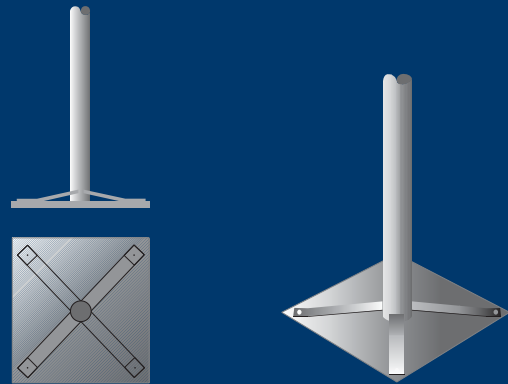
### TYPE A (Hinged)

Can be lowered to the ground for servicing, replacing halyards, or painting



### TYPE A (Cantilever)

Free-standing



### TYPE A: Concrete base when ground mounted, minimum suggested size is:

Heights are the same in all cases  
Hinge supplied with pole

Pole length	Width	Depth
5 - 7 metres	840mm	840mm
7.5 - 10.5 metres	900mm	900mm
10.5 - 12 metres	1200mm	1200mm

Larger bases should be used on unstable ground or very exposed locations. In all cases, adequate steel reinforcing rods should be used.

### TYPE A: Cantilever (Free-standing)

Max. diameter at base    Max. O.A height above ground

76mm untapered	5 metres
76mm tapered	5 metres
89mm tapered	6 metres
101mm tapered	7.5 metres
101mm tapered	9 metres
101mm tapered	10.5 metres
127mm tapered	12 metres
150mm tapered	13.5 metres
212mm tapered	15 metres

INCLUDES THE FOLLOWING: Cast alloy truck, sheaves, cleats, polypropylene halyard, base plate and flag clips.

EXTRAS: Yardarms – The use of a yardarm will reduce the maximum pole by 1.5 metres.

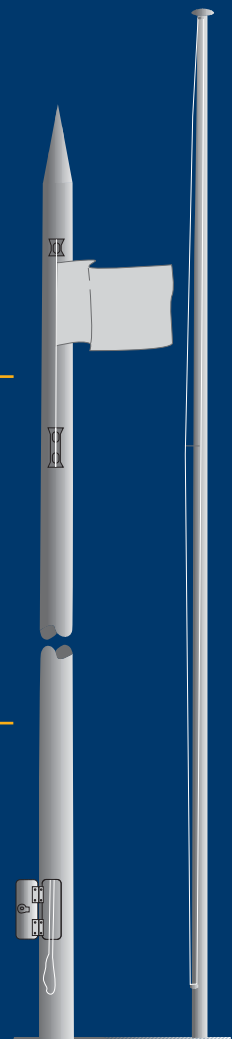
PLEASE NOTE: Base plate specification is available on request, however it is suggested that your local authority be contacted before installation begins, as specifications can vary because of interpretation, soil substances etc. Ullrich Aluminium cannot be held responsible for installation of poles in any region.

Both type A and B poles are available with conventional rope halyard or with the Hide-away system for raising and lowering the flag.

This is a vandal-proof system in which the halyard control is completely hidden internally and also thereby eliminates chafing and noise.

The recommended finish is a two-pot polyurethane lacquer with a life expectancy of six years in normal circumstances.

Ullrich Aluminium flagpoles are regularly specified by leading architects and are supplied complete with halyard, base plate, bolts and nuts, hinges, cast alloy truck, sheaves, cleats and flag clips.





Phone for your nearest  
**ULLRICH ALUMINIUM SALES CENTRE**

**AUSTRALIA - 1300 650 075**

**NEW ZEALAND - 0800 500 338**

- ALUMINIUM EXTRUSIONS
- ROLLED PRODUCTS
- FASTENINGS
- LADDERS
- SCAFFOLDS
- ULLTRACLAD CLADDING
- WINTEC WINDOWS & DOORS
- BUILDING PRODUCTS
- DECORATIVE METALS
- TEKNA MACHINERY

**Map key:**  
 + MANUFACTURING  
 ● SALES & DISTRIBUTION  
 \* EXTRUSION PLANT

Representative and franchised operations throughout the South Pacific

ULLRICH ALUMINIUM PTY LTD  
 PO Box 2182 Smithfield NSW 2164  
 185-187 Woodpark Rd Smithfield Australia  
 Tel +61 2 8787 7400 Fax +61 2 9725 2784  
 ullrich@ullrich.com.au www.ullrich.com.au

ULLRICH ALUMINIUM CO LTD  
 PO Box 98 843 SAMC  
 Manukau City 2240 New Zealand  
 Tel +64 9 262 6262 Fax +64 9 262 6265  
 alkalum@uacl.co.nz www.ullrich-aluminium.co.nz